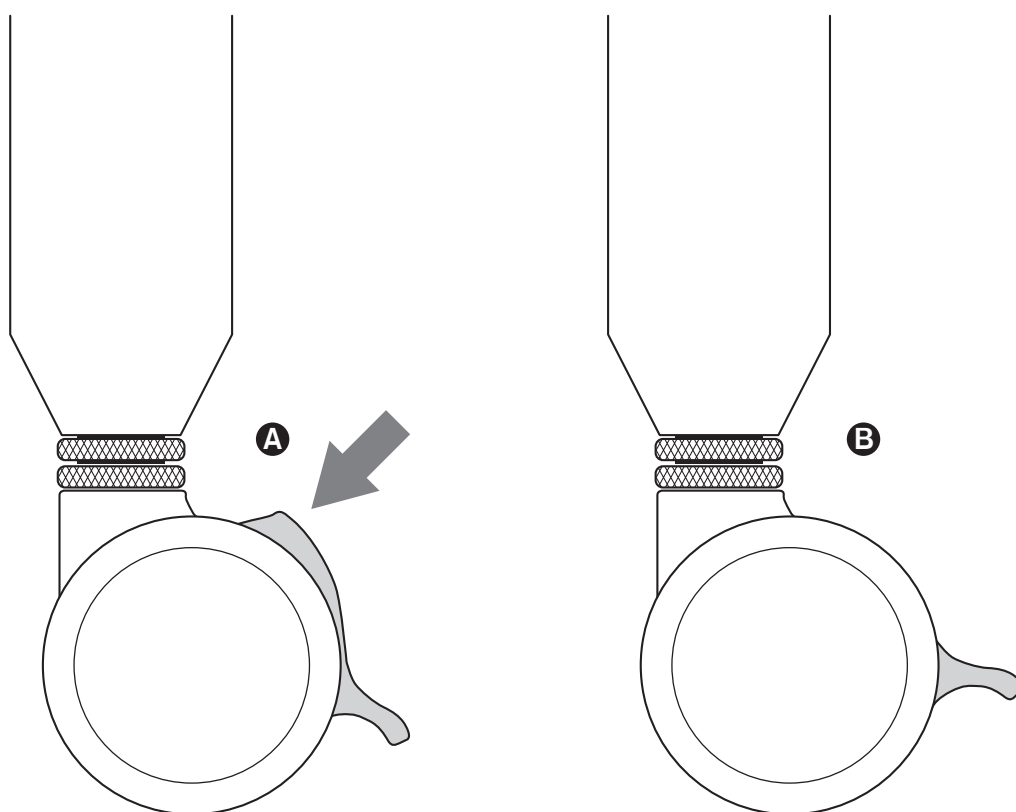


In order to help you realise the unique benefits of the **Kite® table system** we have produced this **manual**. We would advise you to ensure all users have been given the opportunity to study the manual prior to moving and folding Kite tables.

Moving a folded Kite table

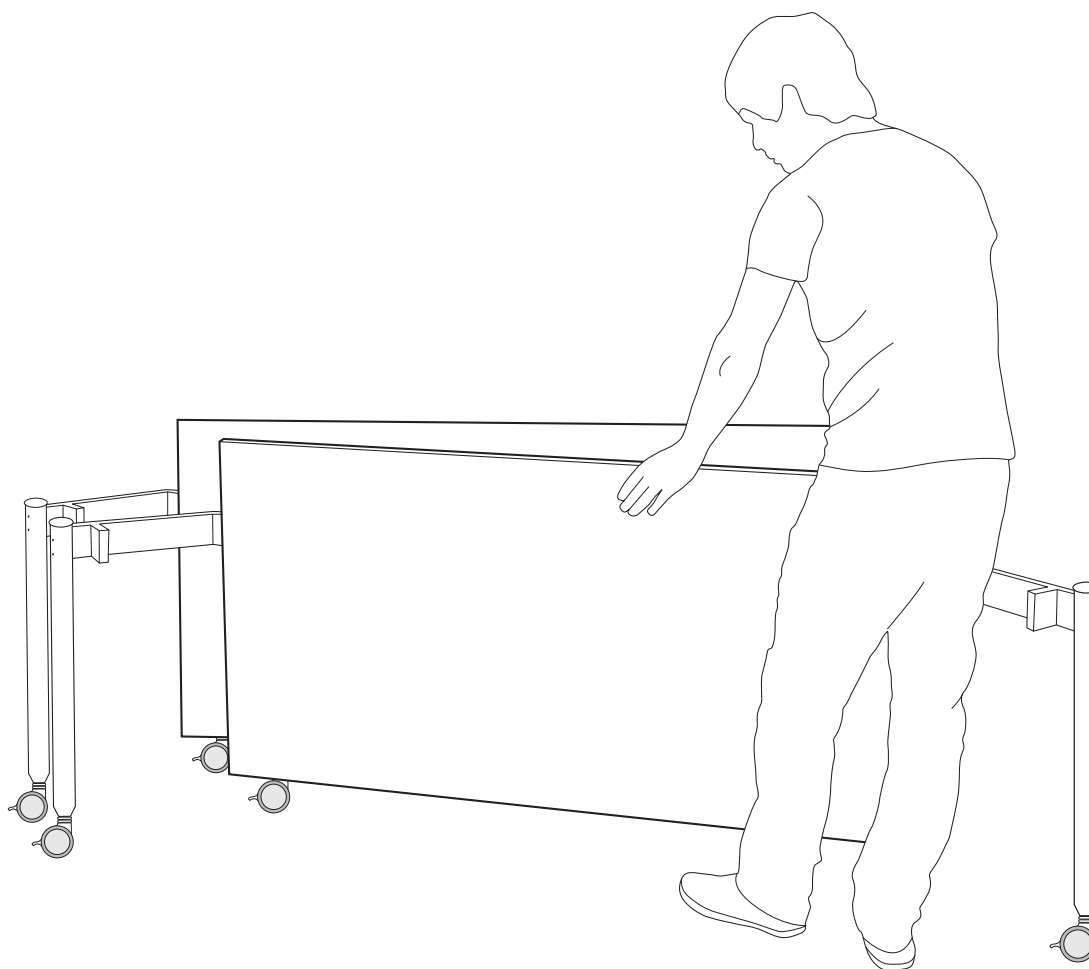
Ensure all the brakes on all 4 of the castors are unlocked. The break pad needs to be pushed down **A**

Fig **B** shows an unlocked castor



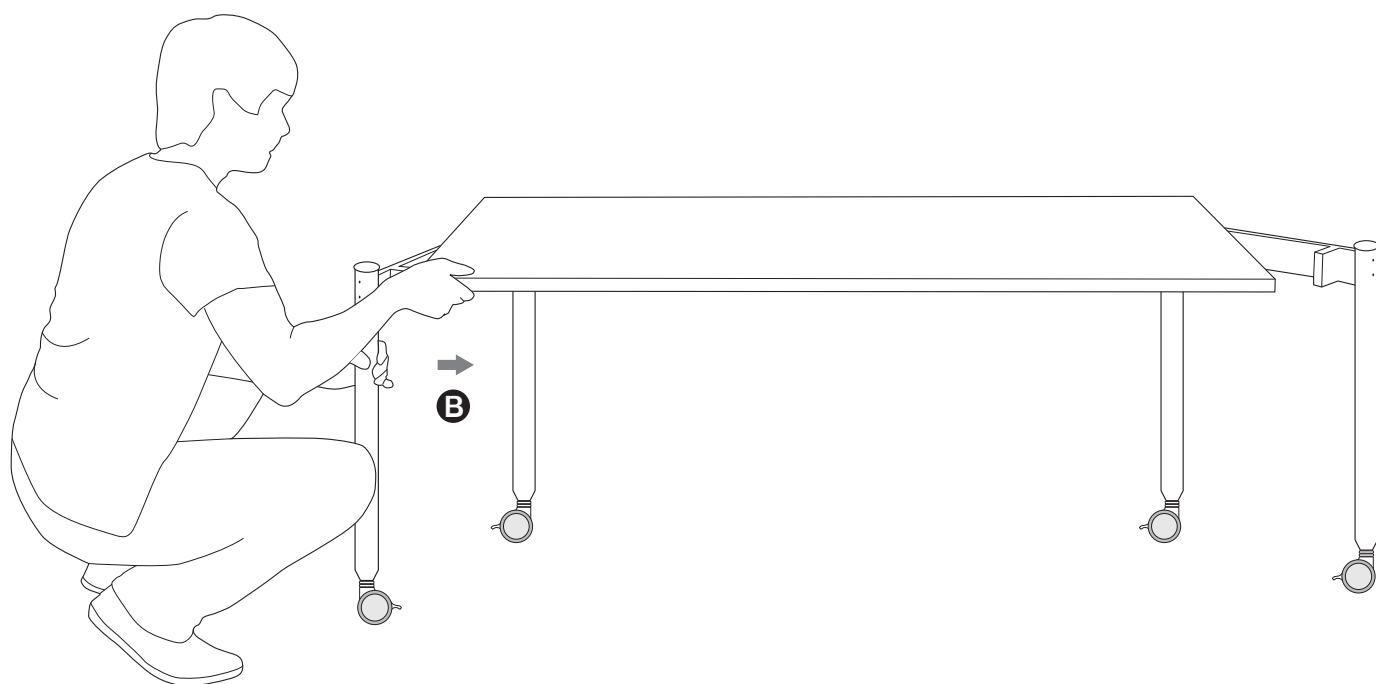
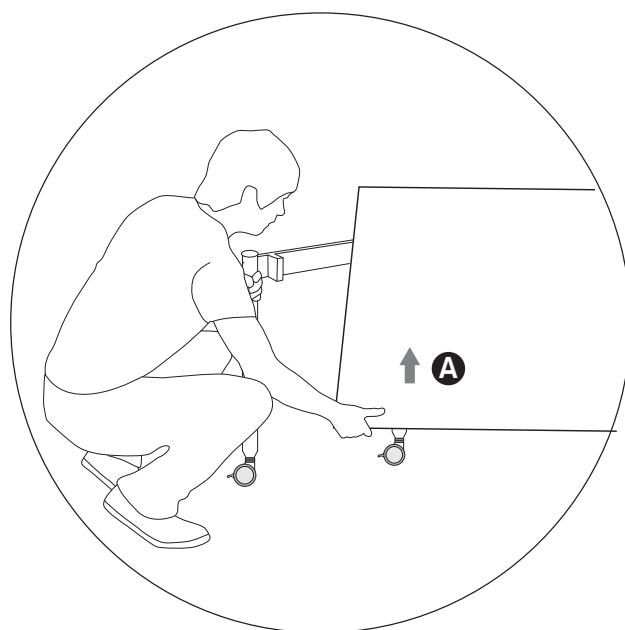
Moving a folded Kite table

Hold one end and pull the table sideways and out. Once clear of the wall (or other folded, nested tables), stand next to the tabletop and push the table along, narrow end first, close to the area in the room where you wish to use it.



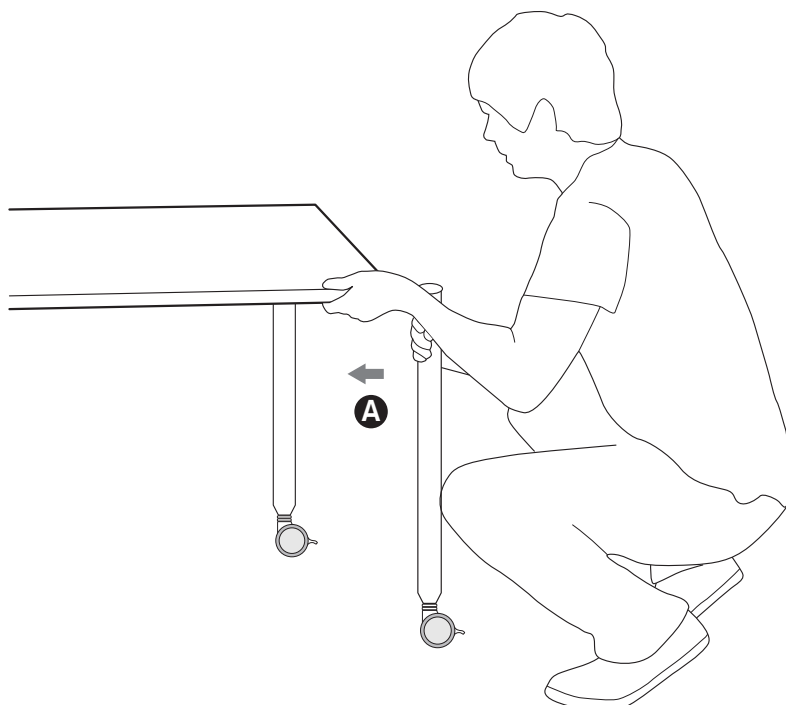
Erecting a folded Kite table

Stand in front of the table, bend your knees and place your left hand on the left front leg. Use your right hand to lift the top **A**. Swing the top up and once it is horizontal, swing the left table leg in and under the top **B**.



Erecting a folded Kite table

On the opposite leg, swap hands, support the table top with the left hand and swing the right table leg in and under the top with your right hand **A**.

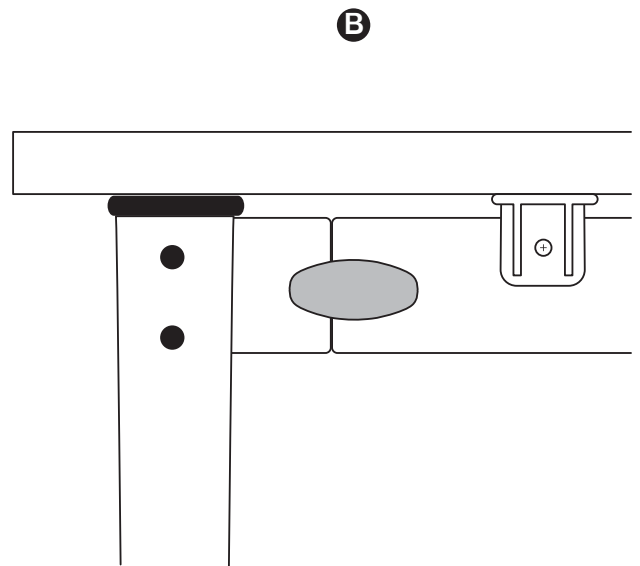
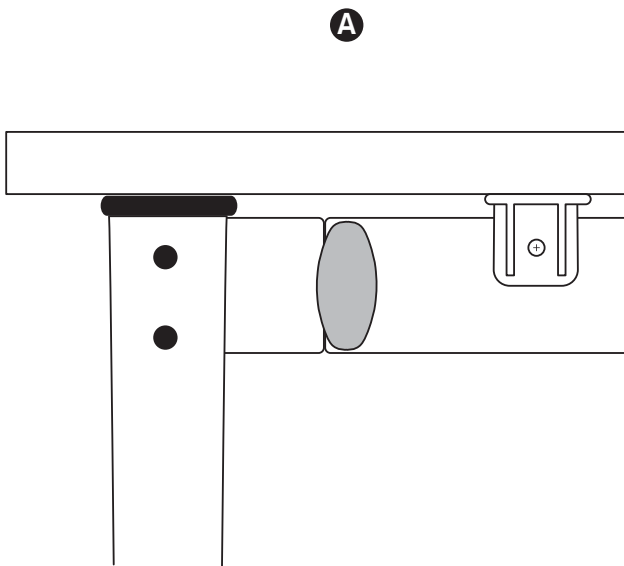


Erecting a folded Kite table

Ensure both legs have met the front rail underneath the top. Bend your knees and turn the locking handle until horizontal. Repeat the process at the other side of the table. Check both front legs are locked. The table can be wheeled in this erected position.

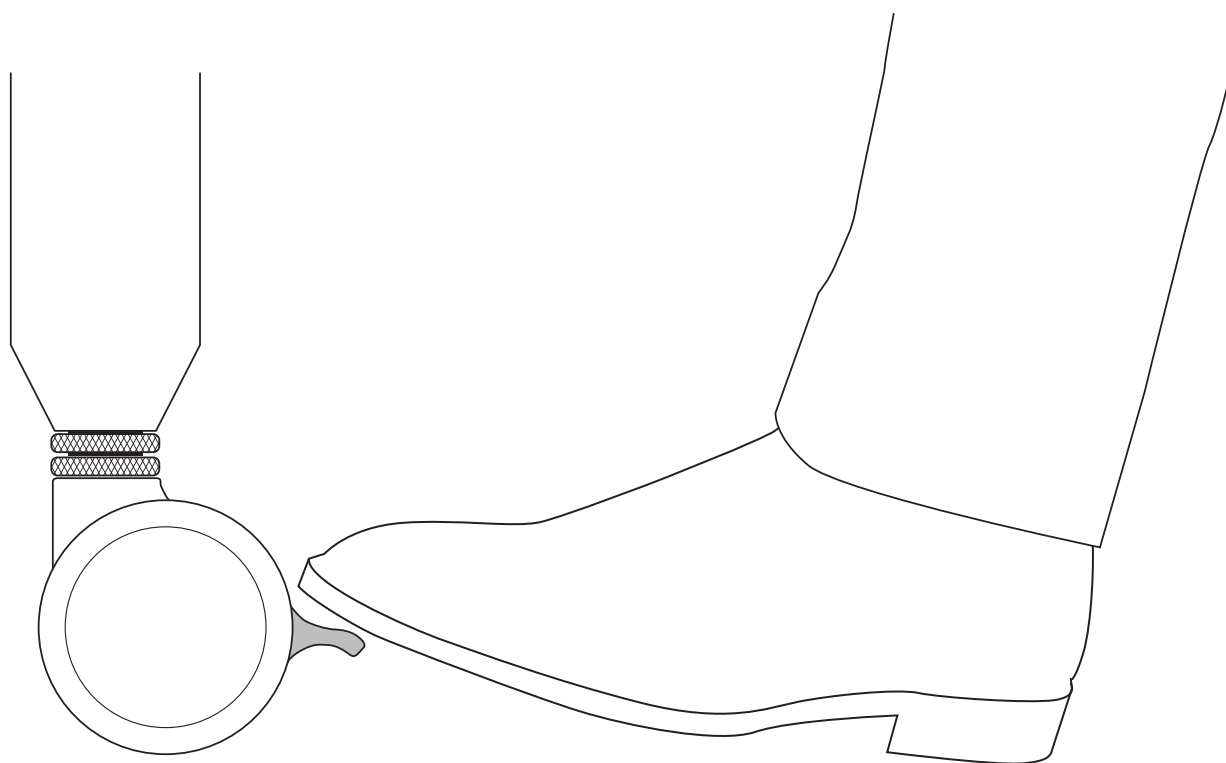
Legs unlocked **A**

Legs locked **B**



Erecting a folded Kite table

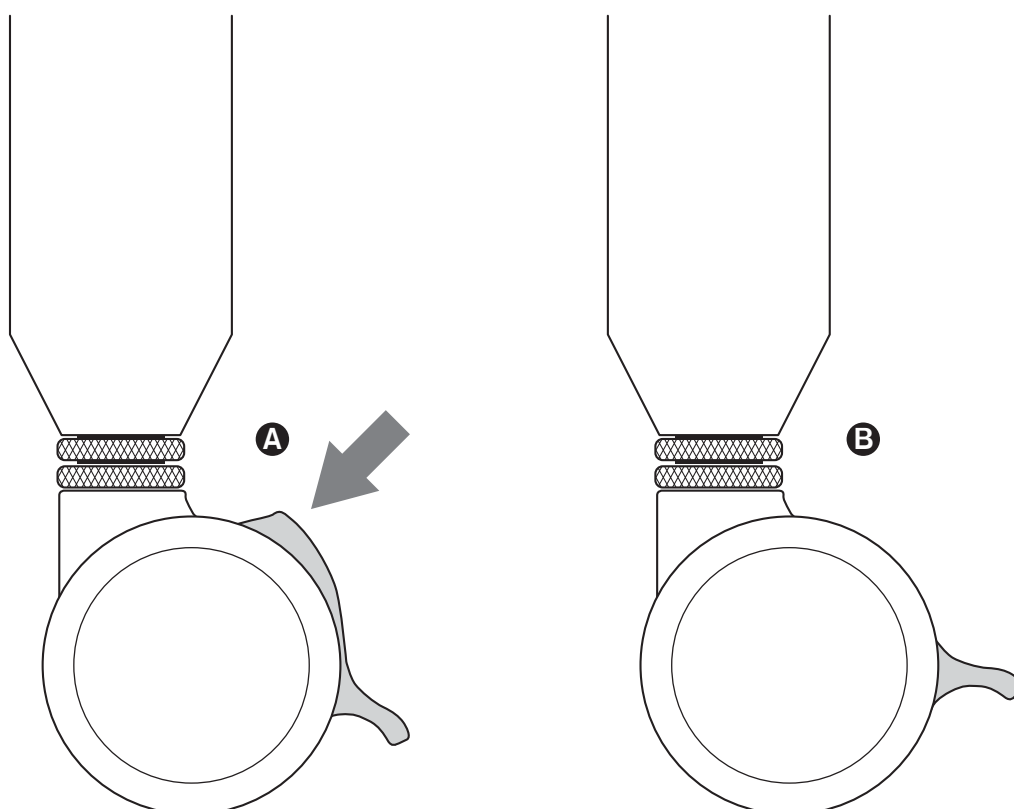
Finally, once the table is in it's desired position, apply the brakes to the castors by gently stepping on the brake lever.



Folding a Kite table

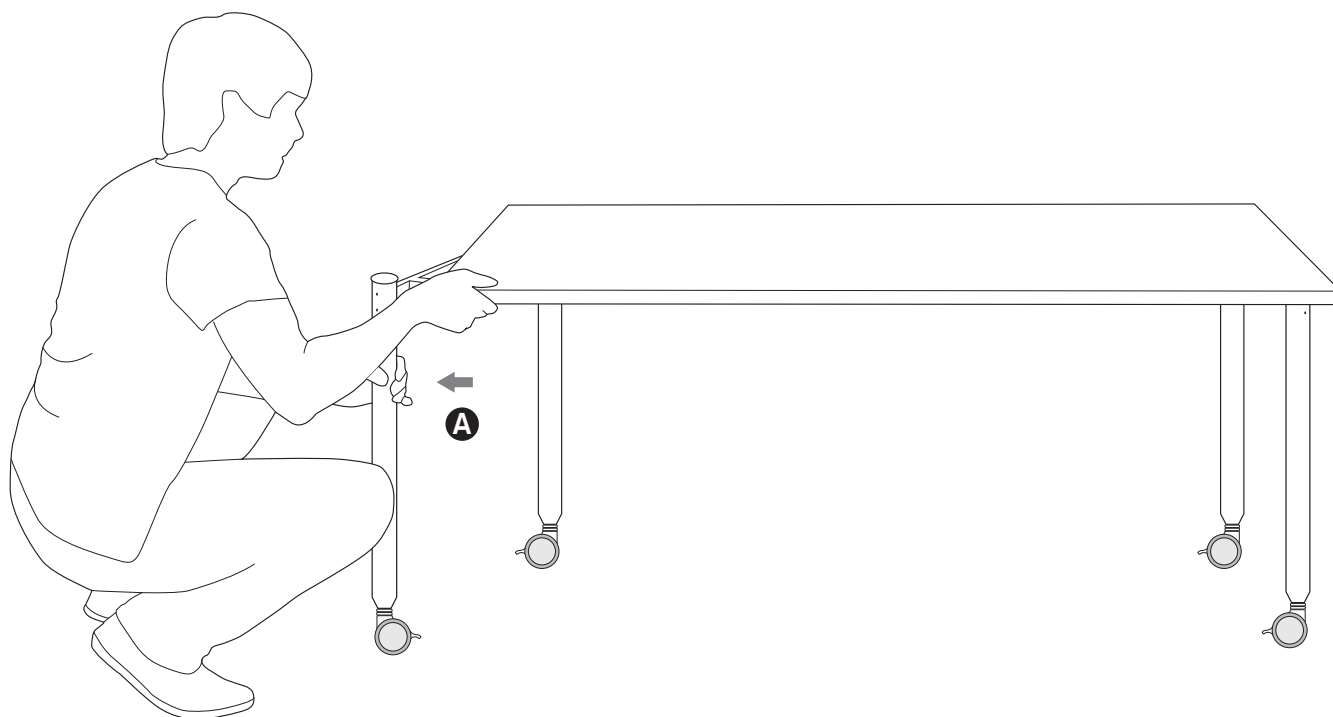
Ensure all the brakes on all 4 of the castors are unlocked. The break pad needs to be pushed down **A**

Fig **B** shows an unlocked castor



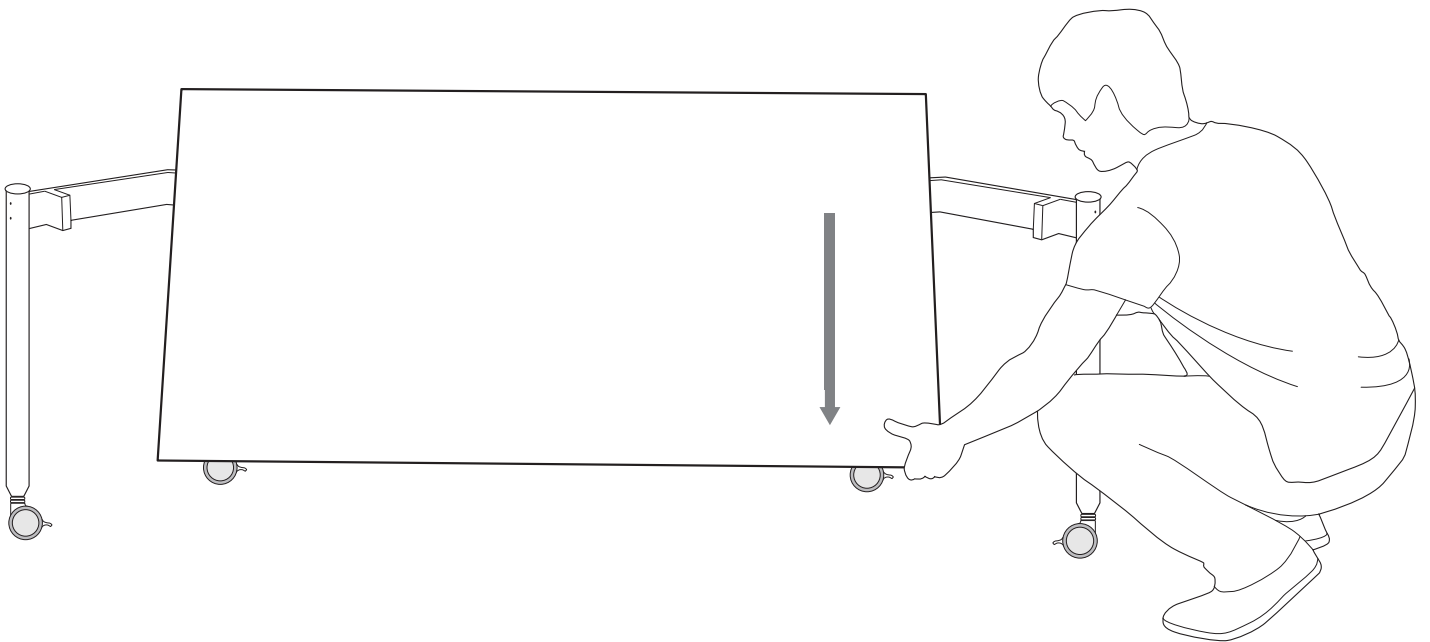
Folding a Kite table

Turn the locking handle on the left hand side to unlock the front rail. Support the table top with the right hand. Swing the left leg out and away with the left hand **A** .



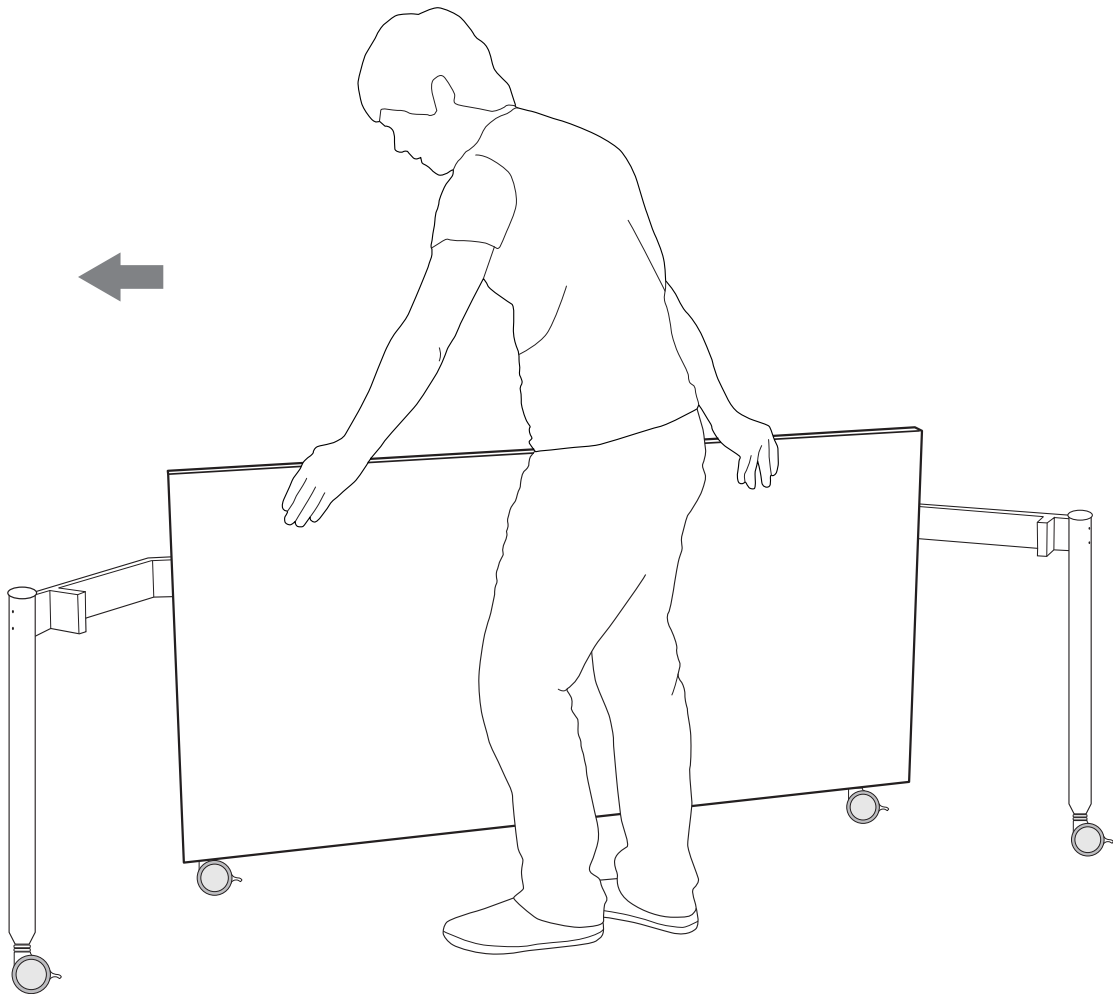
Folding a Kite table

Turn the locking handle to unlock the opposite side. Support the top with the left hand swing the right leg out and away with the right hand. Gently lower the table top with your left hand. (do not let it drop down)



Moving a folded Kite table

Always wheel the table away side ways (side legs first) to desired position.



Important Information

Do not pull the table towards you when it is in the folded position

Folded table should be pushed/pulled with the side legs leading

Never use a table without locking the handles on the front rail

Never manoeuvre a table with the brakes applied

Never lift a table when it is in the folded position

Never pull up on the table back rail when it is folded

Never let the table top just drop when lowering it

 **demco**[®] imagine what's possible™

If you require assistance during assembly, our Customer Service team can help you!

Email custserv@demco.com or call 800.356.1200

Kite® table is patent protected

Kite® is a registered trademark No 2127363