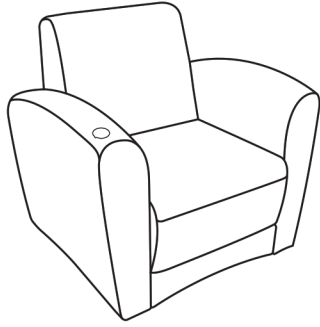


Model 821 InterPlay Chair



Parts Listing

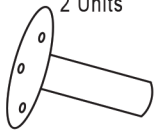
A
Chair
1 Unit



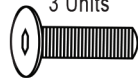
B
Tablet
1 Unit



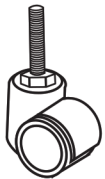
C
Tablet Support Bar
2 Units



D
6x12mm Tablet Screw
3 Units



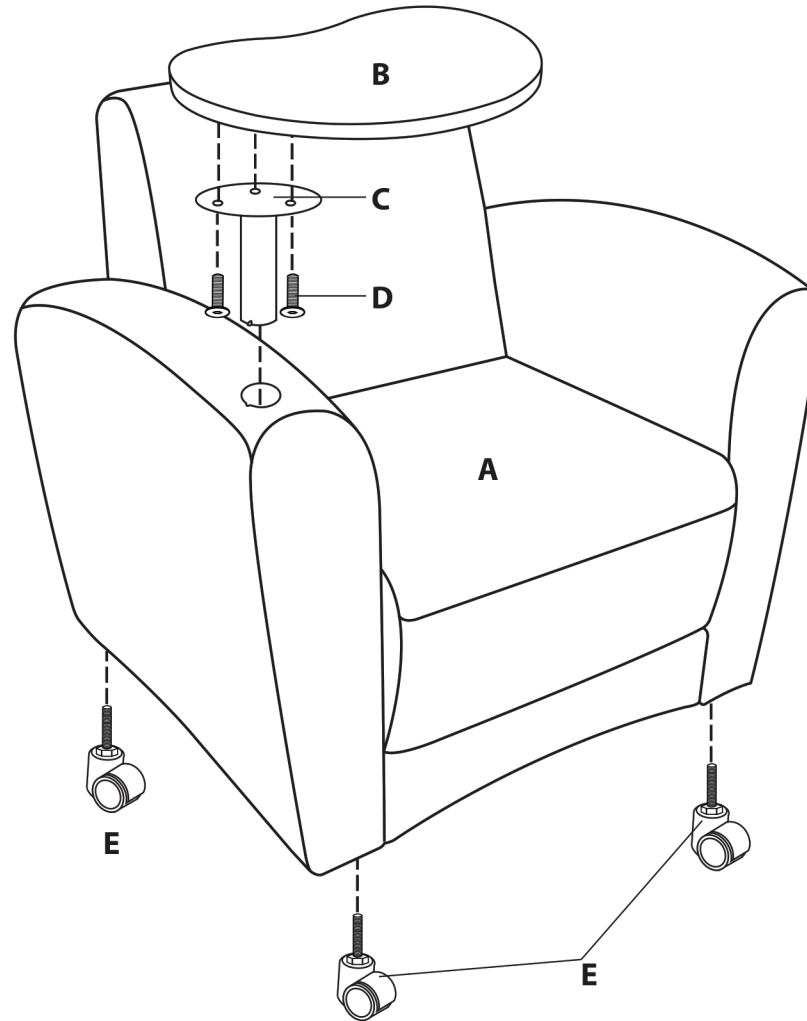
E
Caster
2 Units



F
Wrench
1 Unit



G
Allen Wrench
1 Unit



WEIGHT CAPACITY: 500 lbs.

Assembly Notes:

During assembly, hand tighten screws only. When all screws are in place, you may then tighten all screws completely.

CAUTION:

1. Do not use this chair as a step ladder.
2. Check for loose screws and tighten them every 6 months.



Assembly Instructions

Tools Needed: Allen Wrench and Wrench (provided).

- Step 1:** Attach the Casters (E) to the Chair (A) by carefully laying the Chair (A) onto its back and screwing the Casters (E) into the corresponding holes on the bottom of the Chair frame and tighten using the provided Wrench (F).
- Step 2:** Return Chair (A) to upright position.
- Step 3:** Attach Tablet Support Bar (C) to Tablet (B) by inserting 6x12mm Tablet Screws (D) through the holes and into the bottom of the Tablet (B) using Allen Wrench (G).
- Step 4:** Insert Tablet Support Bar (C) into the Chair (A), being careful to line up notch on the bottom of the bar with inset gap in the Chair grommet hole.

NOTE: The optional wooden Feet should be screwed into the rear of the Chair frame to be most effective.

Wooden feet to match tablet.



demco® imagine what's possible™

If you require assistance during assembly, our Customer Service team can help you!

Email custserv@demco.com or call 800.356.1200