

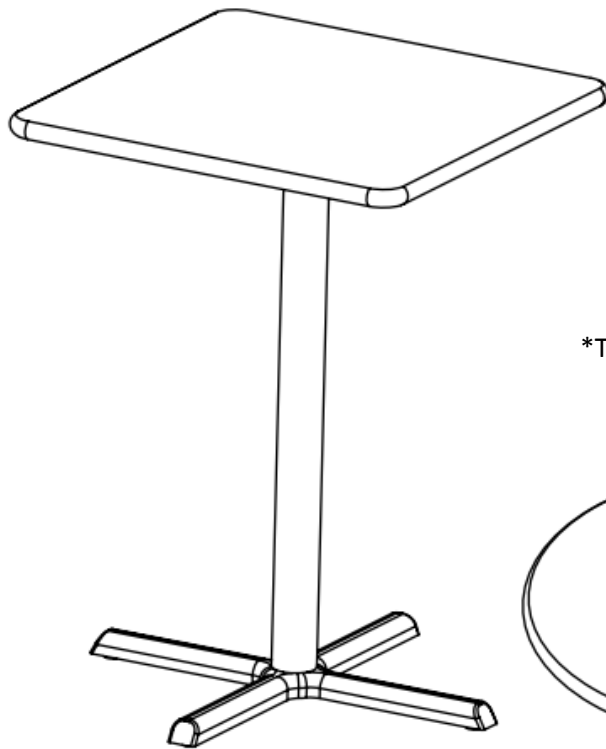


# SMITH SYSTEM

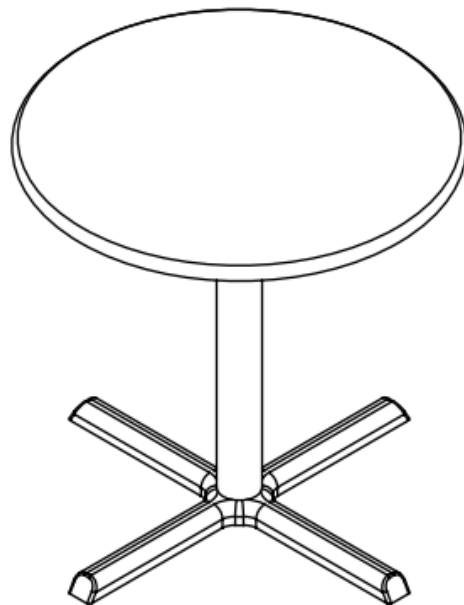
Furniture for inspired learning.

## Café Table Base Assembly Instruction Sheet

(Models: 01536 and 01525)



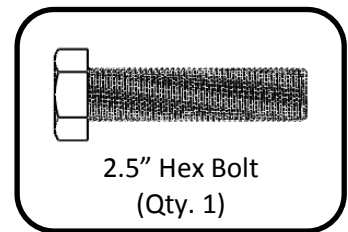
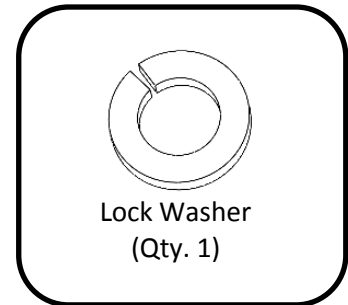
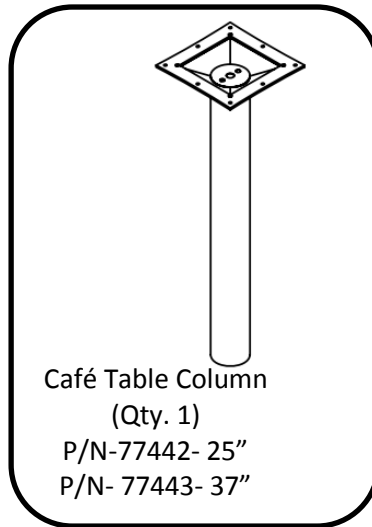
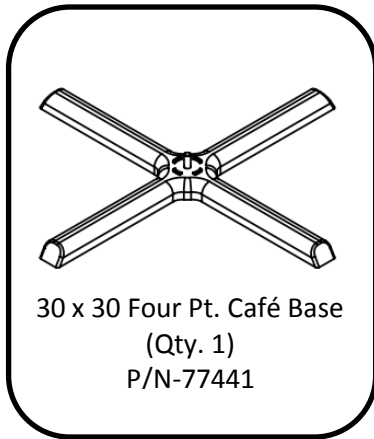
\*Tops Sold Separately



Form# 179739

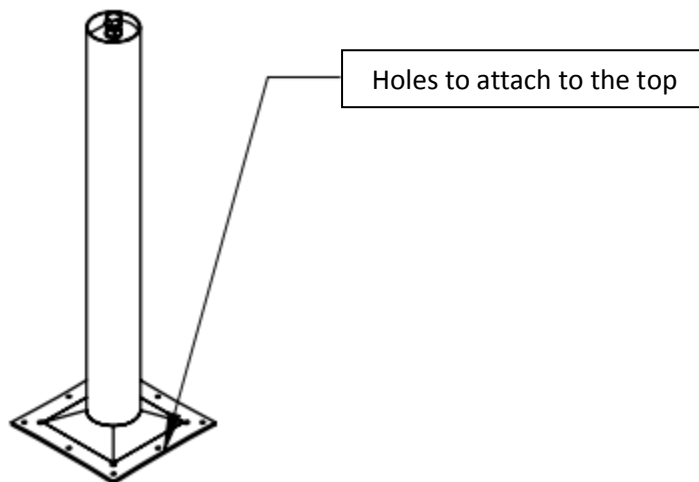
02/2013

## Hardware and Components

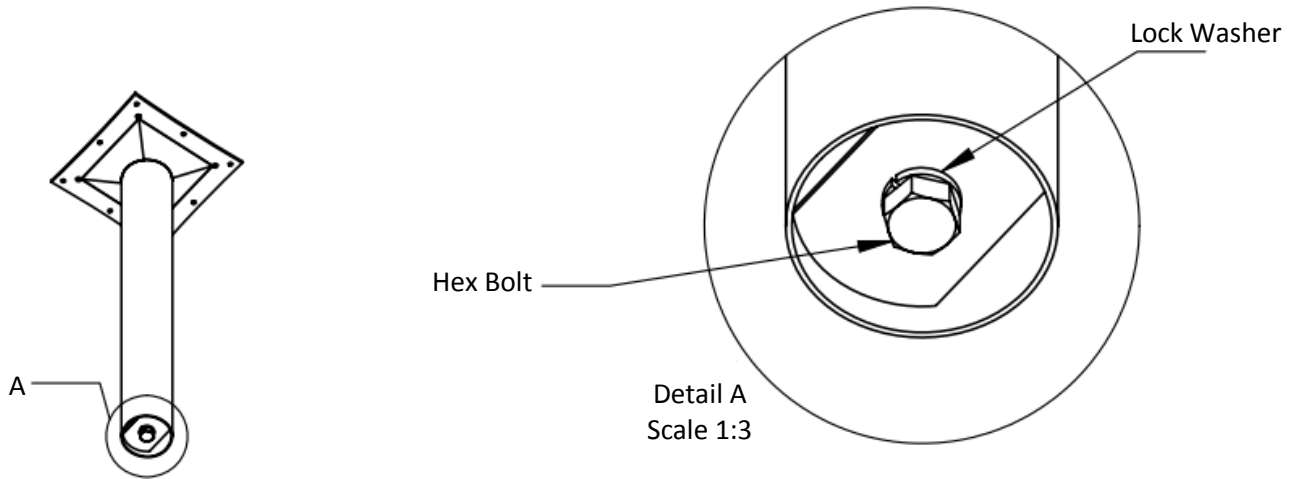


## Assembly Instructions

Step 1: Use the 8 screws included with the top to attach the top to the column. 8 holes are pre-drilled in the top. For easier assembly, use an electric drill at a low torque setting.

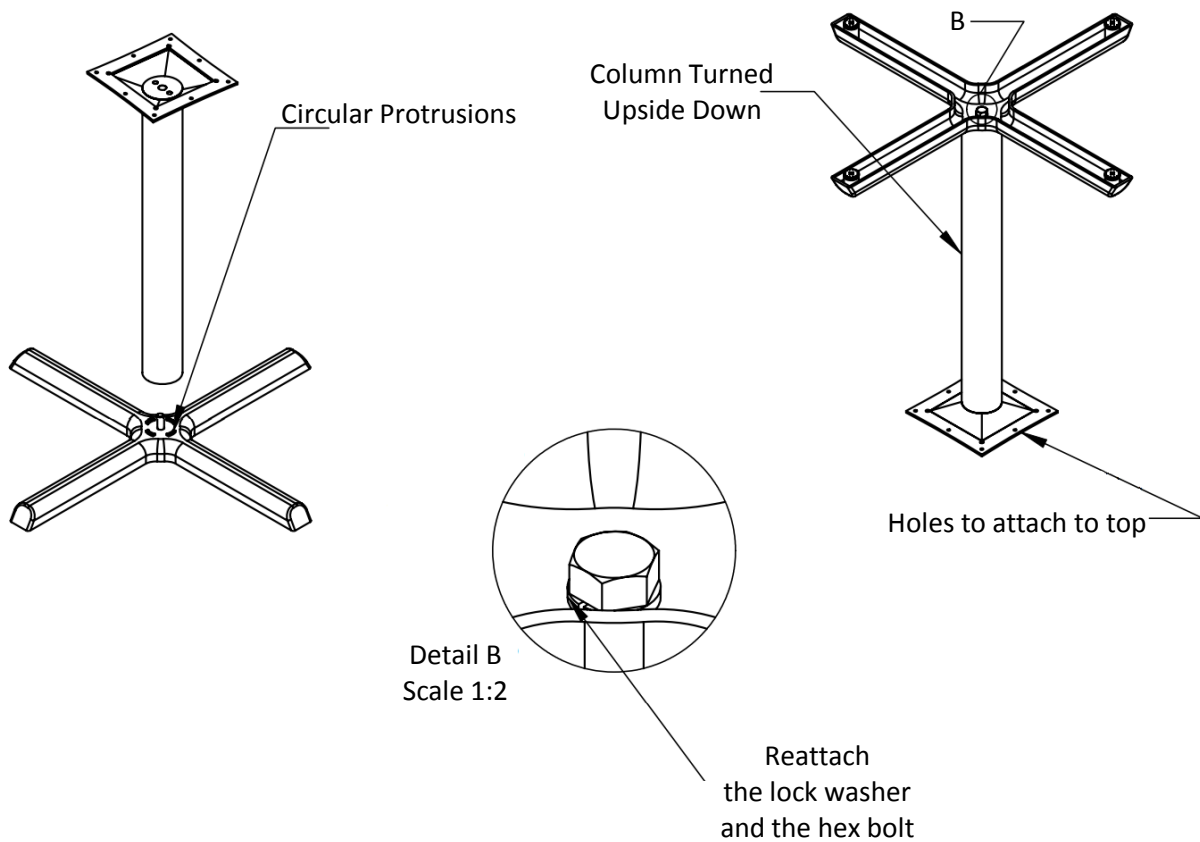


Step 2: Unscrew and remove the hex bolt and the lock washer from the column section.



Step 3: Turn the Column upside down. Locate the column around the circular protrusions on the base. Reattach the lock washer and hex bolt.

Step 4: Optional: Use a  $\frac{3}{4}$ " socket wrench to tighten the hex bolt.



**demco**® imagine what's possible™

If you require assistance during assembly, our Customer Service team can help you!

Email [custserv@demco.com](mailto:custserv@demco.com) or call 800.356.1200.

Form# 179739

02/2013